



1832 N Glassell St · Orange, California 92865  
1-888-MINIPAC · www.vac-smart.com

## MV 41 VacSmart™ – Table Top Chamber Vacuum Sealer with Advanced HACCP Features



MV 41 VacSmart™ – Table Top Chamber Vacuum Sealer with Advanced HACCP Features

### FEATURES

- Seamless stainless chamber 29" x 13.5"
- Height: 3" (Chamber) + 1" (Lid) = 4"
- 3 quick release seal bars at 24.75" (front) and 12.25" (left & right) length
- Transparent lid for operator viewing
- 304 stainless steel construction
- Shatterproof lid hinge design
- Full-color sealed LCD touch display
- Ethernet, USB, and Thermocouple connectivity
- TruVac™ sensors for hold + vacuum pulse infusion
- Elevated legs to meet NSF hygiene requirements
- Flippin' Tray for unique food shapes, sizes & liquids

### SOFTWARE

- 6 speed keys
- 999+ product look-ups
- Selectable vacuum display in mbar or %
- HACCP Plan included at [www.HACCP-Portal.com](http://www.HACCP-Portal.com)
- Fragile food protection with controlled air return

### ADVANCED HACCP FEATURES

- E-data reporting with PDF file download
  - Operator, product, date/time, batch number
  - County of origin, supplier information, pH level, temperature
  - Immediate corrective action entry at vacuum machine
- Sanitation alerts
  - Food type change (i.e. beef - fish - beef)
  - 4-hour operation sanitation prompt
  - Air dry sanitation instructions
- Programmable label printer (optional)
  - Product name, packed date and use by date
  - Ingredients, product handling message, operator name
  - Sequential number, address, barcode, etc.

### MODELS

- MV 41 VacSmart™**  
Front, Left & Right Seal Bars

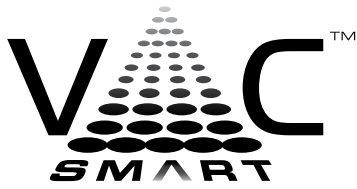


MV 41 VacSmart



### OPTIONS

- Round seal for liquids + excess bag trimmer
- Inert gas kit - N<sub>2</sub>/CO<sub>2</sub>/AR injection (5 nozzles)



1832 N Glassell St · Orange, California 92865  
 1-888-MINIPAC · www.vac-smart.com

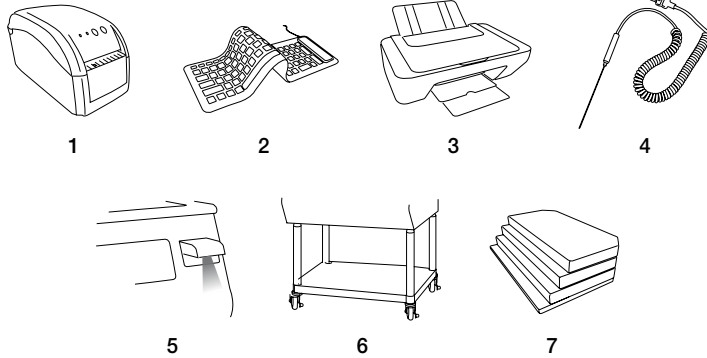
## MV 41 VacSmart™ – Table Top Chamber Vacuum Sealer with Advanced HACCP Features



MV 41 VacSmart™ – Table Top Chamber Vacuum Sealer with Advanced HACCP Features

### ACCESSORIES

- 1. Direct thermal label printer (203 dpi)
- 2. Water-resistant flexible keyboard
- 3. Inkjet printer for HACCP reporting
- 4. K-Type needle temperature probe
- 5. Temperature sensor & barcode scanner
- 6. Mobile cart with storage shelf
- 7. Volume plates - replaces Flippin' Tray



### TECHNICAL SPECIFICATIONS

- Linux embedded operating system
- 5" LCD touch screen display, resistive type
- ARM Cortex A7 quad-core processor
- 1GB LPDDR2 RAM memory
- 8GB microSD storage
- WiFi & Bluetooth connectivity
- 10/100 Mbps Ethernet port
- Two USB 2.0 ports
- Two thermocouple ports

### POWER

- 20 m<sup>3</sup>/h Busch® vacuum pump
- 120 volts, 50-60 Hz, single phase
- 19 amps

### SHIPPING

- Shipping dimensions 37" x 26" x 26"H
- Shipping weight 245 lbs

### DETAILS AND DIMENSIONS

- A = 32.5" (826 mm)
- B = 21.5" (545 mm)
- C = 4" (100 mm)
- D = 21.5" (543 mm)
- E = 20.5" (522 mm)
- F = 27.75" (704 mm)

