



"When You Need More Than Staples."

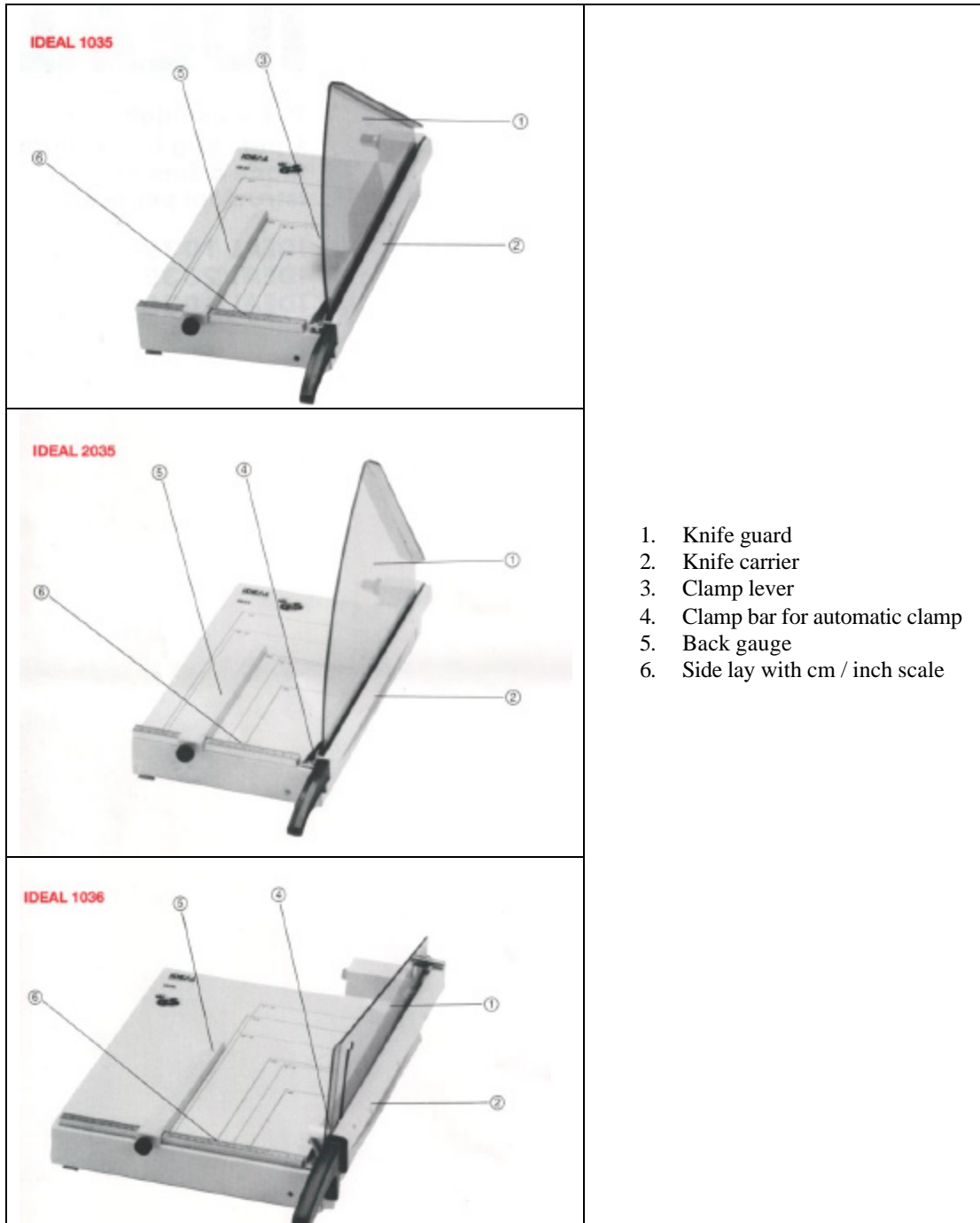
Toll Free: 800-658-8788

Fax: 801-927-3037

info@abcoffice.com

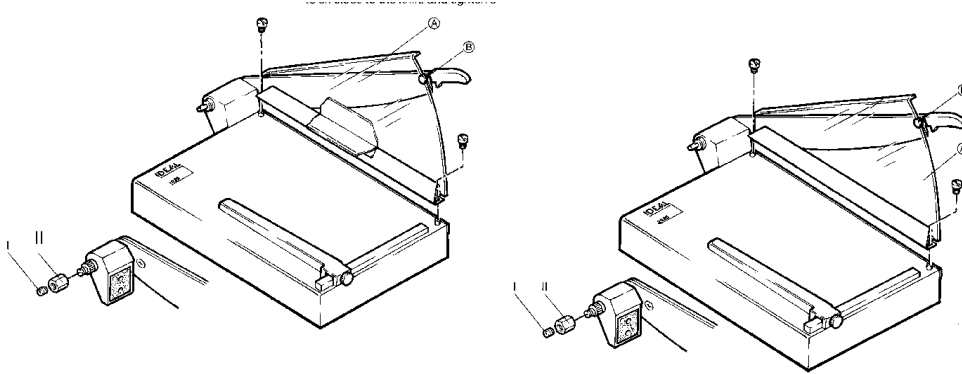
## IDEAL Cutters

### Model 1035 Model 2035 Model 1036



## Safety Regulations

- A.** IDEAL trimmers comply with international safety regulations and are safety-tested.
- B.** All trimmers are provided with approved safety guards (#1). For a safe operation of the trimmers it is important, that the knife guard is not taken off.
- C.** The knife carrier (#2) is fitted with a friction device. If adjusted correctly, this friction device insures, that the knife carrier (#2) with the knife cannot move down on its own from any position.
- D.** If the knife carrier (#2) does not stay in position and moves down on its own, please re-adjust the friction device immediately.
- E.** To adjust the friction device loosen the set screw (I) . Tighten the nut (II). Retighten the set screw (I).



## Installation

The Model IDEAL 1036 does not need any assembly. On models IDEAL 1035 and IDEAL 2035 the clamp with the attached knife guard (#1) has been taken off for shipping.

For re-assembling proceed as follows:

Turn out screws on fixing points. Place knife guard (A) with attached clamp bar on machine as illustrated. The knife guard must be caught behind the guiding screw (B) on knife-carrier. Turn screws into fixing points (don't tighten). Adjust knife guard to sit close to the knife and tighten screws.

## Operation

This model is equipped with hand clamp (#3) which holds paper when cutting. Models IDEAL 2035 and 1036 are fitted with an automatic clamp, which goes up and down with the movement of the knife.